

MICHIGAN STATE

U N I V E R S I T Y

Alpha Presentation

Medications Shortages Dashboard

The Capstone Experience

Team Spectrum Health

Alex Lockwood

Alex Seling

Cam Keif

Department of Computer Science and Engineering

Michigan State University

Spring 2014



*From Students...
...to Professionals*

Project Overview

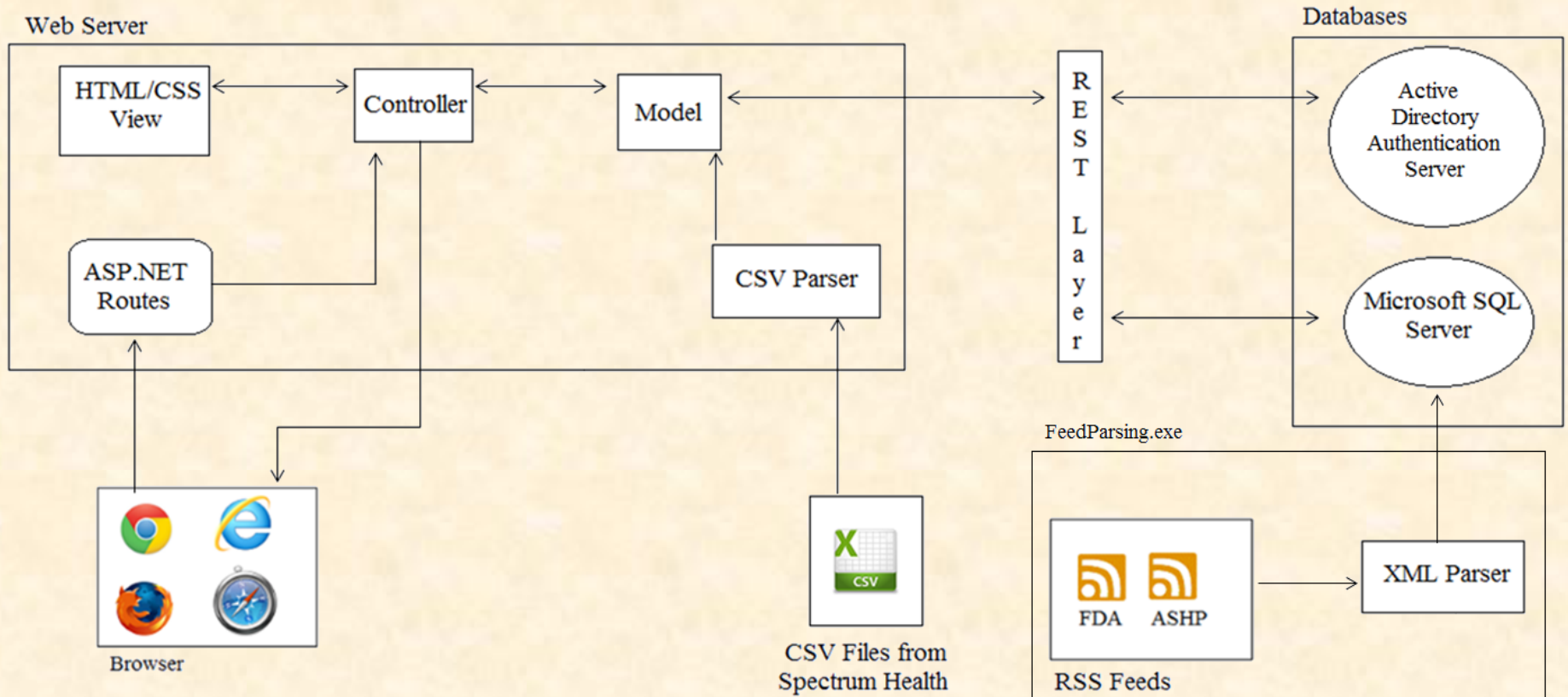
- Spectrum Health – healthcare organization in Grand Rapids
- Pharmacists must be able to track medication shortages
- Currently no centralized system

Project Overview

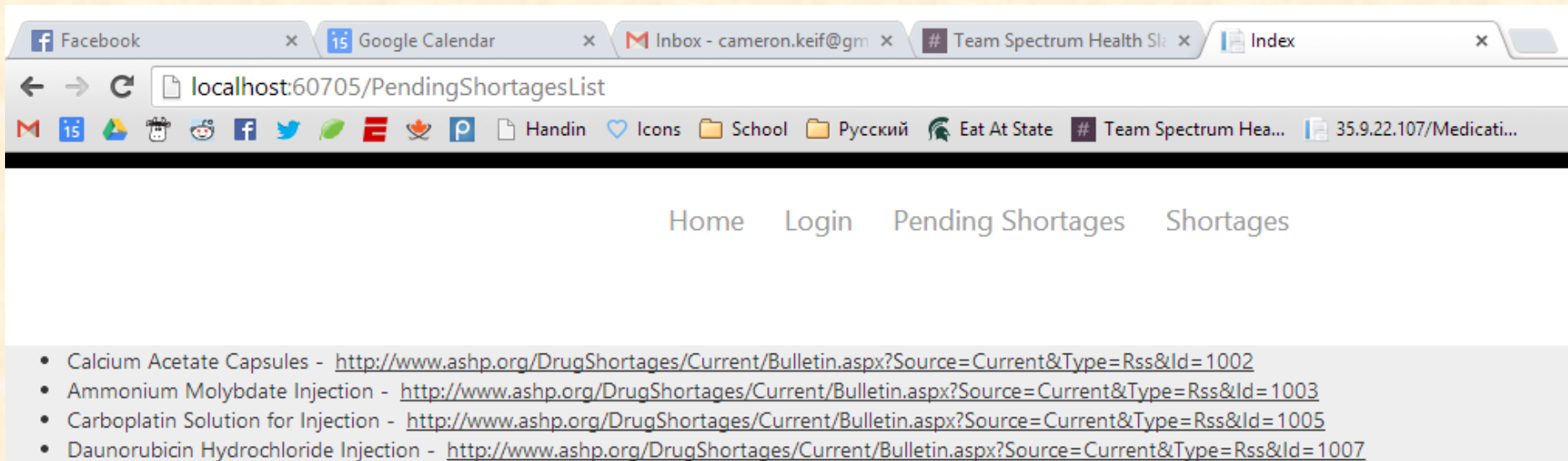
- Solution: Medication Shortages Dashboard
 - Collects shortage and current inventory information
 - Logged in user have personal watch lists
 - Allows pharmacists to collaborate/discuss shortages
 - With each other
 - With pharmacist administrators



System Architecture



ASHP Feed Processing



The screenshot shows a web browser window with the following elements:

- Browser Tabs:** Facebook, Google Calendar, Inbox - cameron.keif@gm, Team Spectrum Health Sl, Index.
- Address Bar:** localhost:60705/PendingShortagesList
- Navigation Bar:** Home, Login, Pending Shortages, Shortages.
- Content Area:** A list of four pending shortages with their respective URLs:

- Calcium Acetate Capsules - <http://www.ashp.org/DrugShortages/Current/Bulletin.aspx?Source=Current&Type=Rss&Id=1002>
- Ammonium Molybdate Injection - <http://www.ashp.org/DrugShortages/Current/Bulletin.aspx?Source=Current&Type=Rss&Id=1003>
- Carboplatin Solution for Injection - <http://www.ashp.org/DrugShortages/Current/Bulletin.aspx?Source=Current&Type=Rss&Id=1005>
- Daunorubicin Hydrochloride Injection - <http://www.ashp.org/DrugShortages/Current/Bulletin.aspx?Source=Current&Type=Rss&Id=1007>



Microsoft SQL Server Interactions

localhost:60705/ShortagesList/Create

Drug Id: 98

DateTime: 03/12/1992

Status

Good

Warning

Severe

submit

localhost:60705/ShortagesList

- 1 5 1992-09-02T00:00:00 warning [Edit](#) [Delete](#)
- 8 4 1992-01-02T00:00:00 good [Edit](#) [Delete](#)
- 9 4 1992-01-02T00:00:00 good [Edit](#) [Delete](#)
- 14 98 1992-03-12T00:00:00 severe [Edit](#) [Delete](#)



What's left to do?

- Front End/UI
- File Upload
 - High level users will upload memos (.docx)
- Active Directory Authentication
 - Currently just a database table
- Messaging/Notifications

